

C342 Series Tachometer

A very compact tachometer available standard with choice of LCD or LED display. Chose from self powered models containing a 7 year lithium battery, or from models accepting an external 12 - 24 VDC power supply. Externally powered units utilize a nonvolatile RAM to retain data during absence of power.

All units are packaged in a compact 1/32 DIN size case with depths as short as 32mm. The front panel is rated IEC IP65 for use in washdown environments. The C342 series also includes matching indicators for count-totalizing, and time-totalizing, as well as an alphanumeric message display. All are in a uniform 24 x 48 millimeters bezel size package.



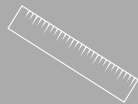
- Available with LCD or LED display
- Requires only one input pulse per revolution
- Choose from internal battery or DC powered units
- Field programmable to accept PNP or NPN signals
- Compact 1/32 DIN bezel size and short depth
- IP65 rated front panel for use in washdown environments



TIME



COUNT



MEASURE

8:43

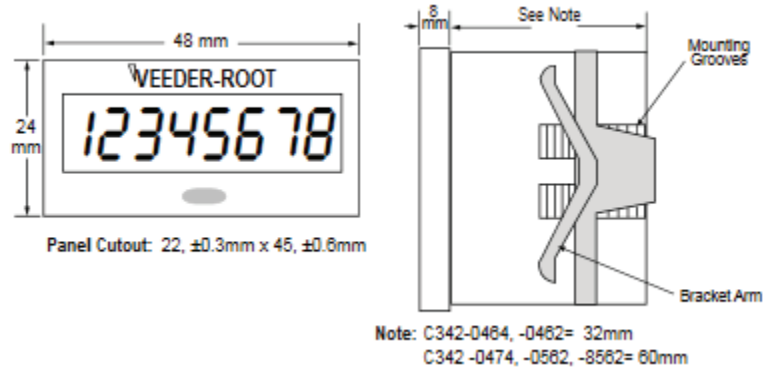
DISPLAY

C342 Series Tachometer

SPECIFICATIONS

INPUT	NPN/PNP Models: Signal field selectable; Logic Low < 0.7 VDC, Logic High > 5 VDC; 30 VDC max. Count Speed: 7.5kHz max.; 30Hz for contact-closure signal
POWER SOURCE	External Power Supply Models: 12 -24 VDC +20%/-10% Internally Powered Models: Lithium Battery, 7 years typical life
DISPLAY	LCD: 7.0mm high (8 digits) LED: 7.6mm high (6 digits)
DISPLAY RANGE	10 RPM to 450,000 RPM (±10 RPM)
OPERATING TEMPERATURE	-10°C to 50°C
FRONT PANEL RATING	IEC IP65
APPROVALS	CE

DIMENSIONS



ORDERING INFORMATION

- C342-3464 Lithium Power Supply, LCD Display
- C342-3462 12-24 VDC Power Supply, LCD Display
- C342-3562 12-24 VDC Power Supply, LED Display

Special Variations Available. Please consult factory.

C342 Series Time Totalizer

A very compact totalizing counter available standard with an 8 digit LCD display or 6 digit LED display. Chose from self powered models containing a 7 year lithium battery, or from models accepting an external 12 - 24 VDC power supply. Externally powered units utilize a nonvolatile RAM to keep counted data during absence of power.

Easy field programming allows interface to PNP or NPN count signals, or you may choose a model that directly accepts high voltage (12-250 VAC/DC) AC or DC pulses.

LED models are available with an optional factory programmed preset limit (preset-count specified when ordered) and feature a transistor output that can perform control functions or interact with a PLC. A 6 character alphanumeric message (characters derived from seven segment pattern) can be programmed to appear when the preset count value is reached.



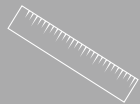
- Available with a 8 digit LCD display or a 6 digit LED
- LED units offer factory entered preset values, and transistor output
- Bidirectional model suited for position and length measurements
- Choose from internal battery or DC powered units
- Field programmable to accept PNP or NPN signals, with models
- available for high voltage inputs
- Compact 1/32 DIN bezel size and short depth
- Display can be reset from the front panel or remotely; front reset
- button can be disabled
- IP65 rated front panel for use in washdown environments



TIME



COUNT



MEASURE

8:43

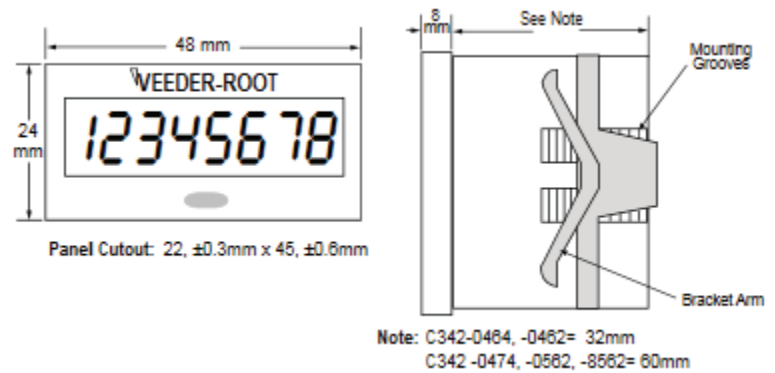
DISPLAY

C342 Series Time Totalizer

SPECIFICATIONS

INPUT	NPN/PNP Models: Signal field selectable; Logic Low < 0.7 VDC, Logic High > 5 VDC; 30 VDC max.
OPTIONAL OUTPUT	AC/DC Models: 12 - 250 VAC/VDC
POWER SOURCE	PNP, 10mA
DISPLAY	External Power Supply Models: 12 -24 VDC +20%/-10% Internally Powered Models: Lithium Battery, 7 years typical life
TIME MODE	LCD: 7.0mm high (8 digits) LED: 7.6mm high (6 digits)
OPERATING TEMPERATURE	Hours:Minutes:Seconds or Hours (1/100 resolution)
FRONT PANEL RATING	-10°C to 50°C
APPROVALS	IEC IP65
	CE, RoHS

DIMENSIONS



ORDERING INFORMATION

C342-1464	H:M:S Time Mode, Lithium Power Supply, NPN/PNP Input, LCD Display
C342-2464	H:1/100 Time Mode, Lithium Power Supply, NPN/PNP Input, LCD Display
C342-1474	H:M:S Time Mode, Lithium Power Supply, 12-250 AC/DC Input, LCD Display
C342-2474	H:1/100 Time Mode, Lithium Power Supply, 12-250 AC/DC Input, LCD Display
C342-1462	H:M:S Time Mode, 12-24 VDC Power Supply, NPN/PNP Input, LCD Display
C342-2462	H:1/100 Time Mode, 12-24 VDC Power Supply, NPN/PNP Input, LCD Display
C342-1562	H:M:S Time Mode, 12-24 VDC Power Supply, NPN/PNP Input, LCD Display, *C342-1562A Control Output
C342-2562	H:1/100 Time Mode, 12-24 VDC Power Supply, NPN/PNP Input, LCD Display, *C342-2562A Control Output

* Optional factory programmed preset limit with transistor output. Preset limit value must be specified at time of order. A 6 character alphanumeric message (characters derived from seven segment pattern) may also be specified to appear when the preset count value is reached.

Special Variations Available. Please consult factory.

C342 Series Totalizing Counter

A very compact totalizing counter available standard with an 8 digit LCD display or 6 digit LED display. Chose from self powered models containing a 7 year lithium battery, or from models accepting an external 12 - 24 VDC power supply. Externally powered units utilize a nonvolatile RAM to keep counted data during absence of power.

Easy field programming allows interface to PNP or NPN count signals, or you may choose a model that directly accepts high voltage (12-250 VAC/DC) AC or DC pulses.

A bidirectional model, with 6 digit LED display, accepts signals from quadrature output encoders and is especially suited for positioning and length measuring applications.

LED models are available with an optional factory programmed preset limit (preset-count specified when ordered) and feature a transistor output that can perform control functions or interact with a PLC.

A 6 character alphanumeric message (characters derived from seven segment pattern) can be programmed to appear when the preset count value is reached.



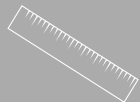
- Available with a 8 digit LCD display or a 6 digit LED
- LED units offer factory entered preset values, and transistor output
- Bidirectional model suited for position and length measurements
- Choose from internal battery or DC powered units
- Field programmable to accept PNP or NPN signals, with models
- available for high voltage inputs
- Compact 1/32 DIN bezel size and short depth
- Display can be reset from the front panel or remotely; front reset button can be disabled
- IP65 rated front panel for use in washdown environments



TIME



COUNT



MEASURE

8.43

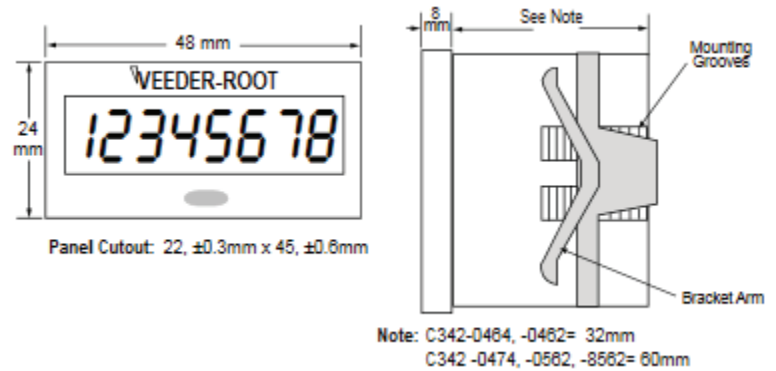
DISPLAY

C342 Series Totalizing Counter

SPECIFICATIONS

INPUT	NPN/PNP Models: Signal field selectable; Logic Low < 0.7 VDC, Logic High > 5 VDC; 30 VDC max. Count Speed: 7.5kHz max.; 30Hz for contact-closure signal
OPTIONAL OUTPUT	PNP, 10mA
POWER SOURCE	External Power Supply Models: 12 -24 VDC +20%/-10% Internally Powered Models: Lithium Battery, 7 years typical life
DISPLAY	LCD: 7.0mm high (8 digits) LED: 7.6mm high (6 digits)
OPERATING TEMPERATURE	-10°C to 50°C
FRONT PANEL RATING	IEC IP65
APPROVALS	CE

DIMENSIONS



ORDERING INFORMATION

C342-0464	Count Mode Up, Lithium Power Supply, NPN/PNP Input, LCD
C342-0474	Count Mode Up, Lithium Power Supply, 12-250 AC/DC Input, LCD
C342-0462	Count Mode Up, 12-24 VDC Power Supply, NPN/PNP Input, LCD
C342-0564	Count Mode Up, 12-24 VDC Power Supply, NPN/PNP Input, LED, C342-0562A Control Output*
C342-8562	Count Mode Up/Down, 12-24 VDC Power Supply, Quadrature Input, LED

* Optional factory programmed preset limit with transistor output. Preset limit value must be specified at time of order. A 6 character alphanumeric message (characters derived from seven segment pattern) may also be specified to appear when the preset count value is reached.

Special Variations Available. Please consult factory.