

## TECHNICAL DATASHEET

### ATEX Pneumatic Totalizing Counters

Type 495



Flush mount version



Surface mount version

- ATEX certified for Gas, Dust and Mining
- Versions for flush and surface mounting
- Manual/pneumatic reset or without reset
- 6 or 8-digit display
- Adding up counting
- Simple installation
- Maintenance-free operation



#### EX-CLASSIFICATION

Gas: Ex II 2G Ex h IIB T4 Gb ( $0^{\circ}\text{C} \leq \text{Ta} \leq 60^{\circ}\text{C}$ )

Dust: Ex II 2D Ex h IIIB T120°C Db ( $0^{\circ}\text{C} \leq \text{Ta} \leq 60^{\circ}\text{C}$ )

Mining: Ex I M2 Ex h I Mb ( $0^{\circ}\text{C} \leq \text{Ta} \leq 60^{\circ}\text{C}$ )

#### TECHNICAL DATA

Display	6-digit, 2 x 4 mm numerals, white/black (with reset) 8-digit, 2 x 4 mm numerals, white/black (without reset)
Digit height	4 mm
Counting range	1 to 99 999 999 or 1 to 999 999
Operating pressure	2 ... 6 bar
Air quality	Filtered, dried and unlubricated air according to ISO 8573-1: 2010 [7:4:4]; designed for use with compressed air. Operates with other media/pure gases upon request
Filter pore size	< 40 microns; use suitable filters when necessary
Ambient temperature	0 ... + 60°C
Maximum medium temperature	30°C (maximum compressed air temperature)
Connection	M5 hose screw connection
Fastening	<i>Flush mount version:</i> Suitable for fastening to a front panel. Two M4 clearance holes <i>Surface mount version:</i> Three M3 clearance holes
Protection (IEC 144)	IP40 with connected hoses. IP55 when using a transparent hinged cover (see Accessories)
Weight	Approx. 70g

Specifications subject to change without notice.

Data sheet	© Hengstler GmbH Umlandstr. 49 D-78554 Aldingen/ Germany	Page
Version 1 180820en	+49 74 24 -89 0 Fax +49 74 24 - 89 500 E-mail: info@hengstler.com Internet: www.hengstler.com	1/4

## TECHNICAL DATASHEET

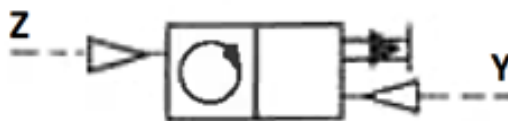
### ATEX Pneumatic Totalizing Counters

Type 495

#### TECHNICAL DATA

Counting	Adding up
Pneumatic signaling at Port "X"/"Y"	Square-wave signal (almost, no "slow" pressure rise/drop)
Maximum counting frequency	5 Hz (count input "X")
Minimum counting pulse duration	8 ms (count input "X")
Reset	- Manual with a button (optional) - By external pneumatic signal at input "Y"
Maximum reset frequency	4 Hz (reset input "Y")
Minimum reset pulse duration at inlet "Y"	180ms
Air delay time until counting restart	Minimum 50 ms (after pulse end of the reset signal at input "Y" and the restart of counting at input "X")
Mounting position	Any

#### CONNECTION DIAGRAM

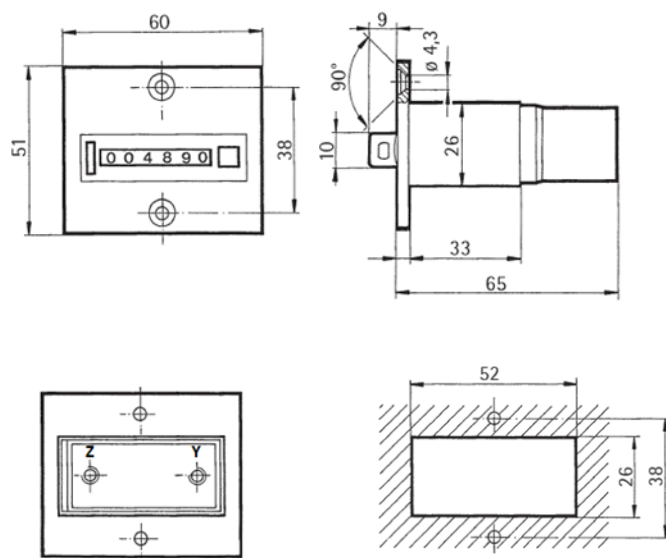


Z = Counting input

Y = Reset input

#### DIMENSIONAL DRAWINGS

Totalizing counter with pneumatic reset, flush mount version



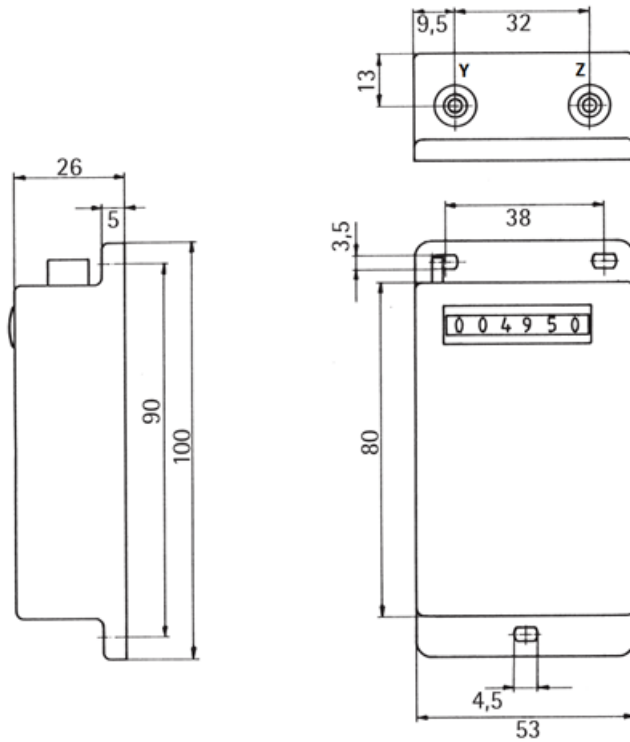
Dimensions in mm

Specifications subject to change without notice.

Data sheet	© Hengstler GmbH Umlandstr. 49 D-78554 Aldingen/ Germany ☎+49 74 24 -89 0 Fax +49 74 24 - 89 500 E-mail: info@hengstler.com Internet: www.hengstler.com	Page
Version 1 180820en		2/4

#### DIMENSIONAL DRAWINGS

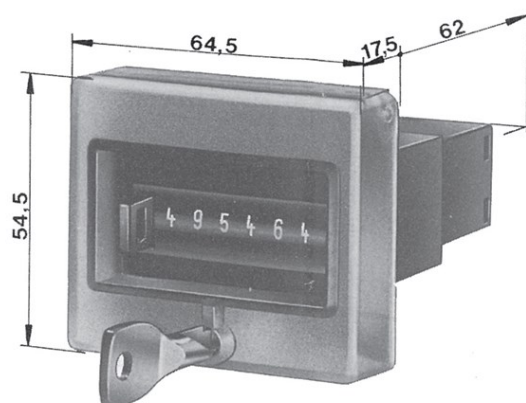
Totalizing counter with pneumatic reset, surface mount version



Dimensions in mm

#### ACCESSORIES

Optional use of a protection transparent cover



Specifications subject to change without notice.

Data sheet	© Hengstler GmbH Umlandstr. 49 D-78554 Aldingen/ Germany ☎+49 74 24 -89 0 Fax +49 74 24 - 89 500	Page
Version 1 180820en	E-mail: info@hengstler.com Internet: www.hengstler.com	3/4

**TECHNICAL DATASHEET****ATEX Pneumatic Totalizing Counters****Type 495**ORDERING INFORMATION  
Counters

Version		Ordering code
Flush mount	6-digit with manual and pneumatic reset	<b>0 495 764</b>
	8-digit (without reset)	<b>0 495 720</b>
Surface mount	6-digit with manual and pneumatic reset	<b>0 495 762</b>

## Accessories

Protection cover (for flush mount version)	With knob	<b>1 405 613</b>
	With key	<b>1 405 614</b>

Specifications subject to change without notice.

Data sheet	© Hengstler GmbH Umlandstr. 49 D-78554 Aldingen/ Germany ☎+49 74 24 -89 0 Fax +49 74 24 - 89 500 E-mail: info@hengstler.com Internet: www.hengstler.com	Page
Version 1 180820en		4/4